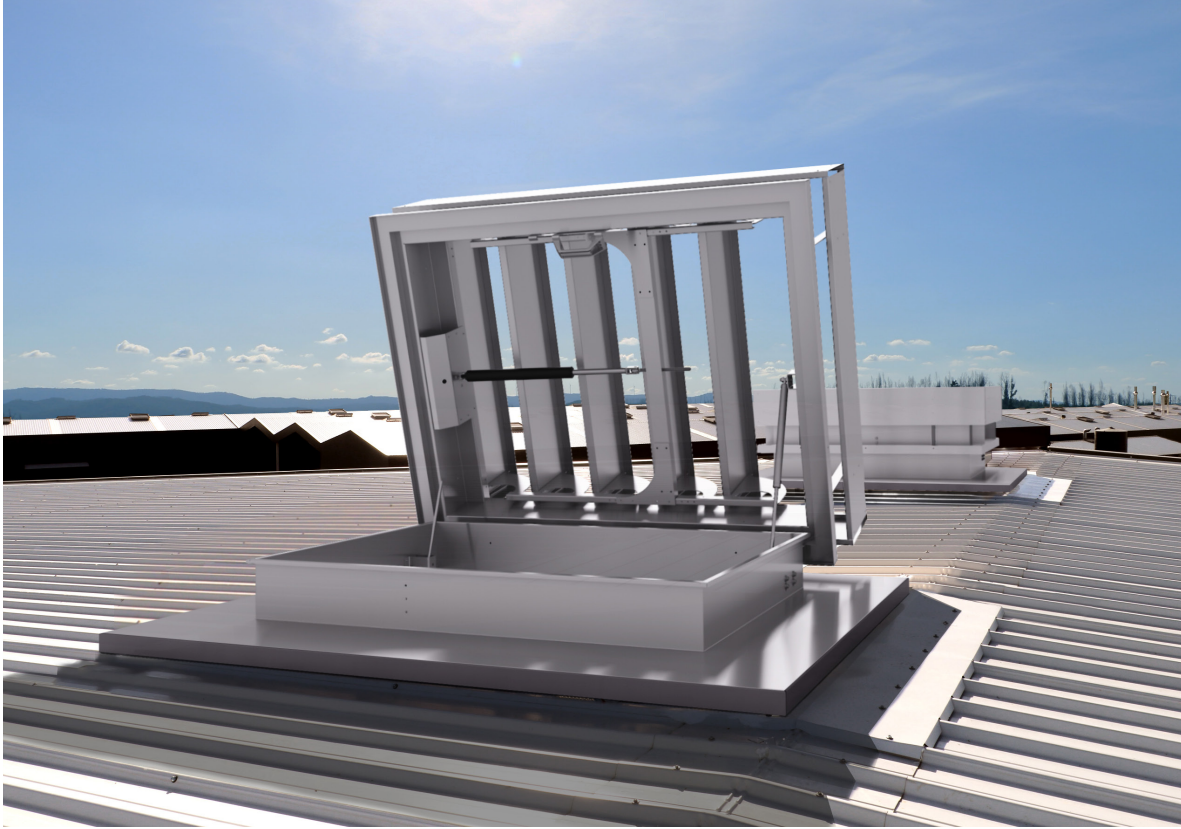


## PRODUCT FEATURES

VENTRA RA is a combination of the multi louvred ventilator type VENTRA with a hinging base adaptor for roof access. This solution meets the need for a EN12101-2 certified natural smoke exhaust ventilator that is also suitable as a roof entry hatch. The base adaptor is formed from high quality corrosion resistant aluminium and is available with single wall or double wall insulated base. Sideways opening can be either manual with gas springs or with electric motors.

The VENTRA as opening lid is available with various louvre- and base options and has standard a 24 Vdc motor for daily ventilation and smoke exhaust.





## TYPICAL APPLICATIONS

To be installed on the roof, standard provided with a S5 flange type for fixing onto an upstand. Other flange options possible on request.

## MATERIALS

Tempered aluminium, sea water and corrosion resistant (EN AW 5754).  
Corrosion resistant bearings.  
Built-in weather resistant hydrophobic tape.

*Note: aluminum is supplied untreated as standard. Possibility of being supplied with electrostatic painting (in any RAL color).*

## DIMENSIONS

**Roof opening width:** 900 – 1800 mm.  
**Roof opening length:** 966 – 2506 (11 louvres, max).

*Note: some configurations need to be evaluated due to louvres' materials. Please consult our technical department.*

## OPENING ANGLE

Ventra individual adjustable from 0° up to 90°.  
Access roof hatch opening up to 90°.

## ROOF ACCESS

Manual roof access system, with latch.

## CONTROLS

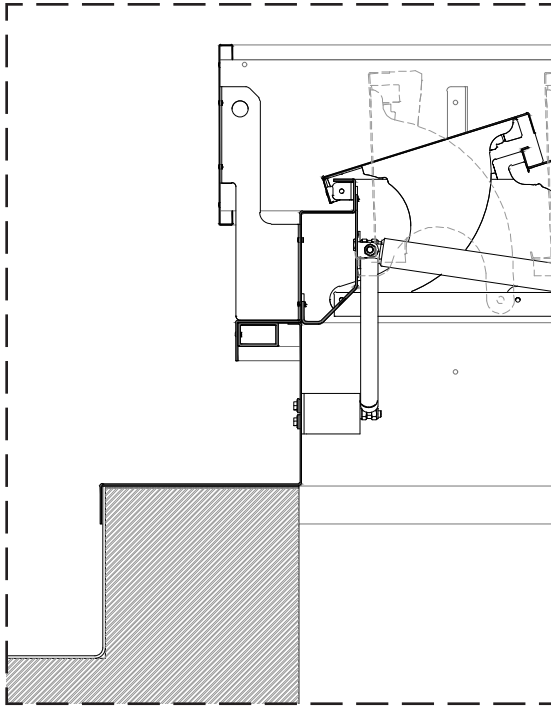
Operation VENTRA for day to day ventilation and smoke exhaust ventilation  
24 Vdc electric, in accordance with EN 12101-02.  
Opening sideways for roof access manually with gas springs and handle with internal lock or 24 Vdc electric.

## LOUVRES

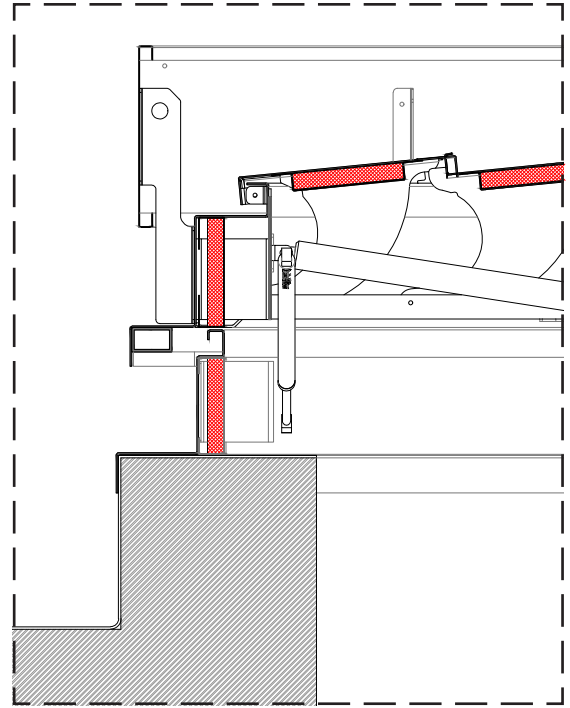
- AL** Single wall aluminium.
- AL ISO** Double wall aluminium insulated.
- PC16** Polycarbonate 16 mm, clear or opal.
- PC25** Polycarbonate 25 mm, clear or opal.

## BASES

- Single aluminium
- Double wall aluminium with insulation.



**DETAIL 01**  
single aluminium



**DETAIL 02**  
double wall aluminium with insulation

## FLANGES

Hinging base

*Note: custom flange design and insulated flanges upon request.*



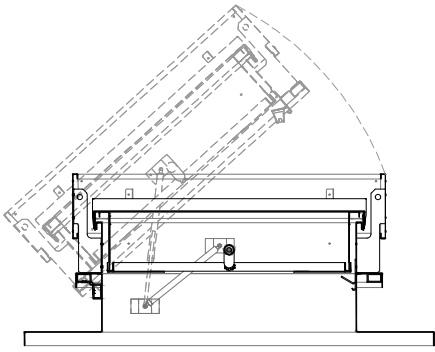
S5

## WEIGHT

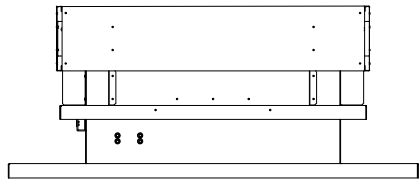
Depends on dimensions and type of infill

## OPTIONS

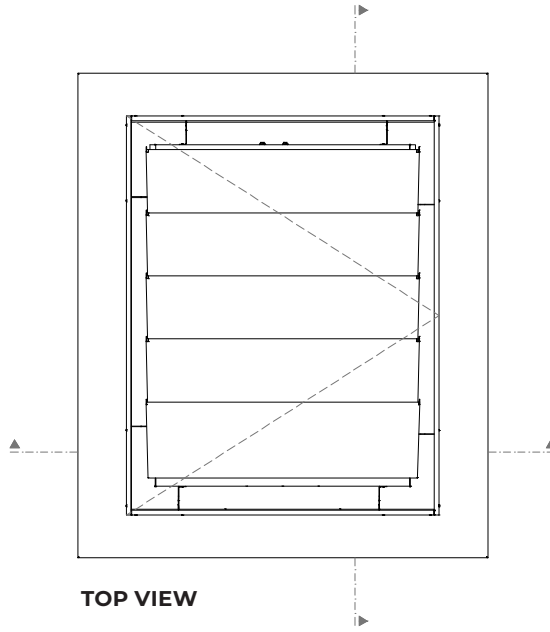
Polyester powder coating



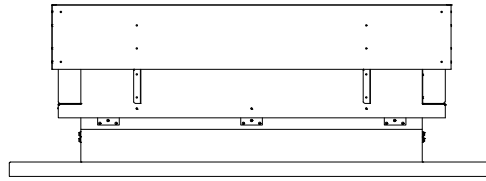
SECTION S2



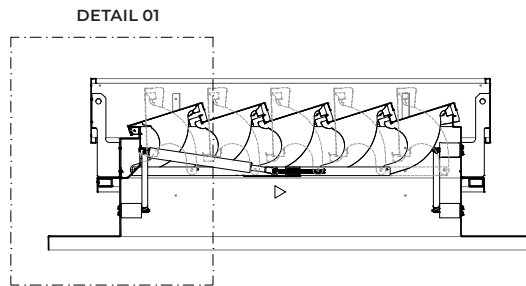
FRONT VIEW



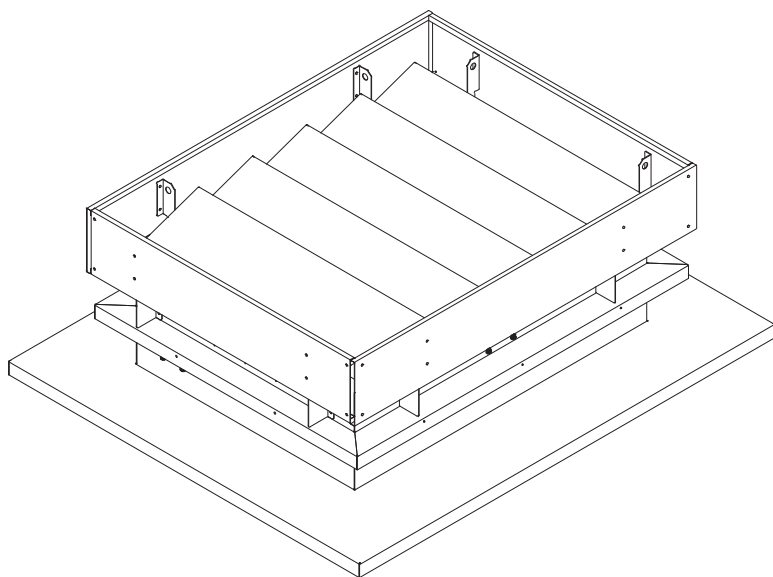
TOP VIEW



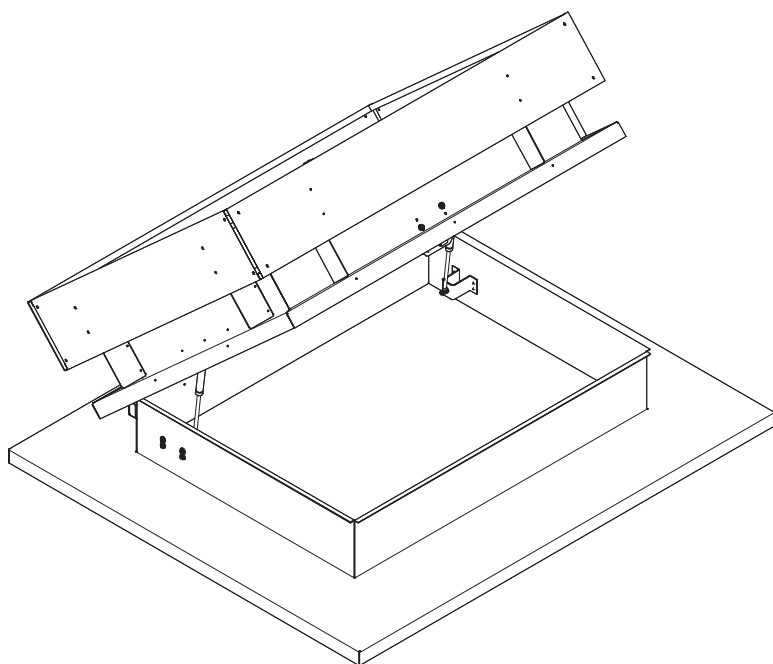
SIDE VIEW



SECTION S1



**VENTRA RA - CLOSED PERSPECTIVE**



**VENTRA RA - OPEN PERSPECTIVE**