

## PRODUCT FEATURES

TRILUX RA is a roof access hatch. It is built entirely with aluminium and the lid is available in different materials. The opening can be manual or with electric motors.

TRILUX RA is appropriate for roof access while doing installations and maintenance on roofs. Wide range of dimensions and configurations are available.



**TRILUX RA (ROOF ACCESS)**



## TYPICAL APPLICATIONS

May be installed on roofs.

## MATERIALS

Tempered aluminium, sea water and corrosion resistant (EN AW 5754).  
Corrosion resistant bearings.  
Built-in weather resistant hydrophobic tape.

**Note:** aluminum is supplied untreated as standard. Possibility of being supplied with electrostatic painting (in any RAL color).

## DIMENSIONS

**Roof opening width:** 500–1500 mm.  
**Roof opening length:** 600–1200 mm.

**Note:** other dimensions available upon request.

## OPENING ANGLE

Individual adjustable from 0° up to 90°.

## ROOF ACCESS

Manual roof access system, with latch or key lock.

## CONTROLS

**Standard:** manual opening with lateral gas springs.  
**M230V / M24V:** electric motors.

## FLAPS

<b>AL</b>	Single aluminium.
<b>AL ISO</b>	Double insulated aluminium (20 and 50 mm).
<b>PC16</b>	Polycarbonate 16 mm, clear or opal.
<b>PC25</b>	Polycarbonate 25 mm, clear or opal.
<b>PC32</b>	Polycarbonate 32 mm, clear or opal.
<b>TB</b>	Thermal break in the aluminium profiles. Available for flaps of AL ISO, PC25 mm, PC32 mm.

## BASES

Single aluminium.

Double wall aluminium with insulation.

Double wall aluminium with insulation and TB, thermal break in the aluminium base.

*Note: other non-standard bases available upon request.*

## FLANGES

<b>S1</b>	Flange for single glass.
<b>S2</b>	Flange for double glass.
<b>S3</b>	Flange for roofs, 45° bended.
<b>S4</b>	Flange for roofs and facades.
<b>S5</b>	Flange for upstand, 90° bended downwards..
<b>S6</b>	Flange 90° bended upwards.
<b>SLS</b>	Flange for skylight connection, for different polycarbonate thicknesses.
<b>SC</b>	Flange for connection with other flange (vents connection). Male or female connection.
<b>SCM</b>	Flange for male connection.
<b>SCF</b>	Flange for female connection.



S1



S2



S3



S4



S5



S6



SLS



SC



SCM



SCF

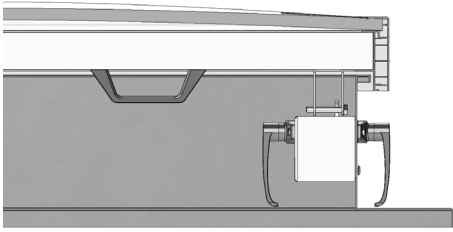
## WEIGHT

Depends on dimensions and type of infill.

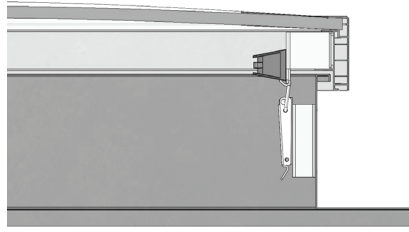
## OPTIONS

Custom dimensions.

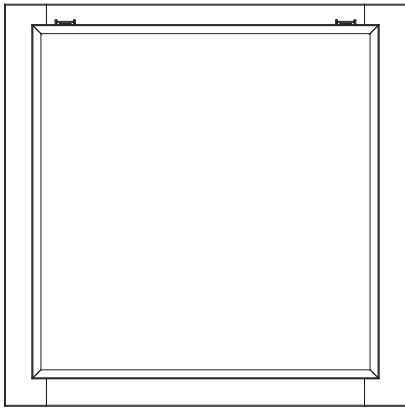
Powder-coated design (any RAL colour).



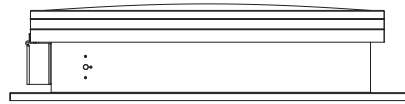
KEY LOCK



LATCH



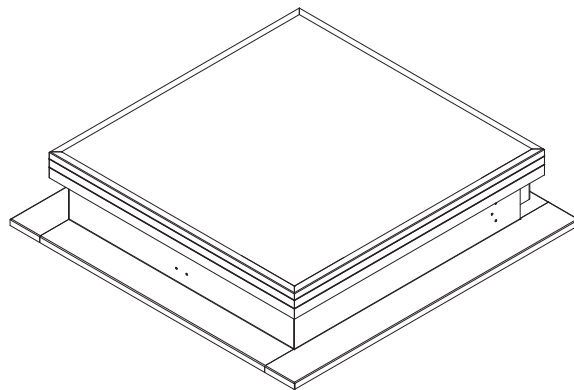
TOP VIEW



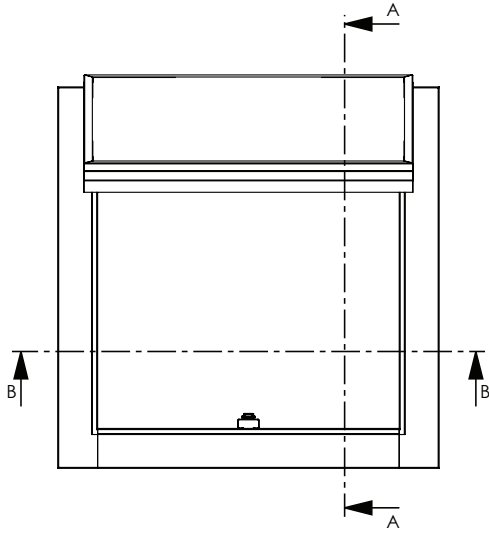
SIDE VIEW



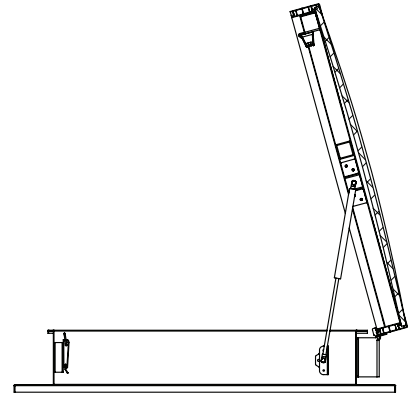
REAR VIEW



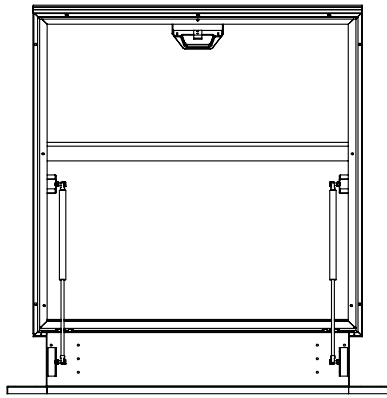
PERSPECTIVE VIEW



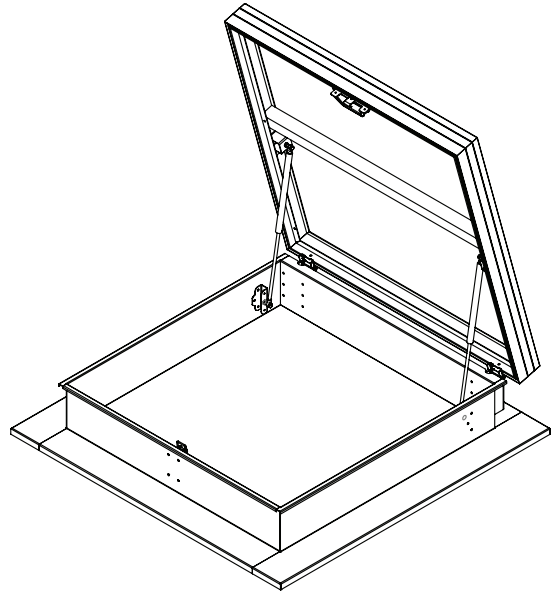
TOP VIEW



SECTION A-A



SECTION B-B



PERSPECTIVE VIEW