

PRODUCT FEATURES

TRILUX RA is a roof access hatch. It is built entirely with aluminium and the lid is available in different materials. The opening can be either manual with gas strings or with electric motors.

TRILUX RA is appropriate for roof access while doing installations and maintenance on roofs. Wide range of dimensions and configurations are available.



TRILUX RA (ROOF ACCESS)



trilux ra

TYPICAL APPLICATIONS

May be installed on roofs.

MATERIALS

Tempered aluminium, sea water and corrosion resistant (EN AW 5754).
Corrosion resistant bearings.
Built-in weather resistant hydrophobic tape.

Note: aluminum is supplied untreated as standard. Possibility of being supplied with electrostatic painting (in any RAL color).

DIMENSIONS

Roof opening width: 500–1500 mm.
Roof opening length: 600–1200 mm.

Note: other dimensions available upon request.

OPENING ANGLE

Individual adjustable from 0° up to 90°.

ROOF ACCESS

Manual roof access system, with latch.

CONTROLS

Standard: manual opening with lateral gas springs.
M230V / M24V: electric motors.

FLAPS

AL	Single aluminium.
AL ISO	Double insulated aluminium (20 and 50 mm).
PC16	Polycarbonate 16 mm, clear or opal.
PC25	Polycarbonate 25 mm, clear or opal.
PC32	Polycarbonate 32 mm, clear or opal.
TB	Thermal break in the aluminium profiles. Available for flaps of AL ISO, PC25 mm, PC32 mm.

BASES

Single aluminium.

Double wall aluminium with insulation.

Double wall aluminium with insulation and TB, thermal break in the aluminium base.

Note: other non-standard bases available upon request.

FLANGES

S1	Flange for single glass.
S2	Flange for double glass.
S3	Flange for roofs, 45° bended.
S4	Flange for roofs and facades.
S5	Flange for upstand, 90° bended downwards..
S6	Flange 90° bended upwards.
SLS	Flange for skylight connection, for different polycarbonate thicknesses.
SC	Flange for connection with other flange (vents connection). Male or female connection.
SCM	Flange for male connection.
SCF	Flange for female connection.



S1



S2



S3



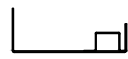
S4



S5



S6



SLS



SC



SCM



SCF

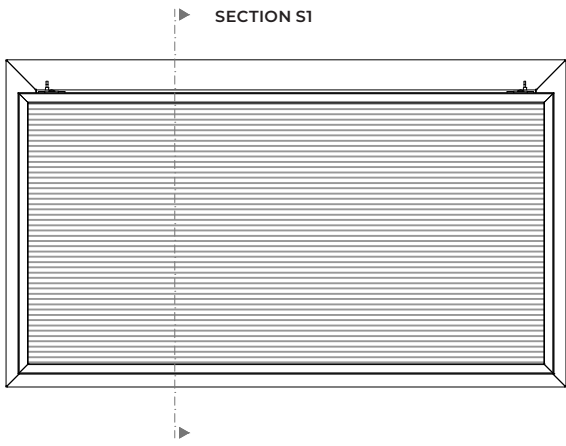
WEIGHT

Depends on dimensions and type of infill.

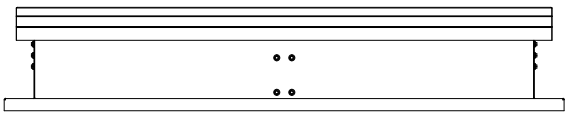
OPTIONS

Custom dimensions.

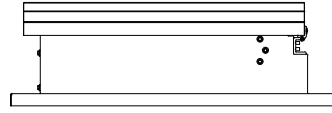
Powder-coated design (any RAL colour).



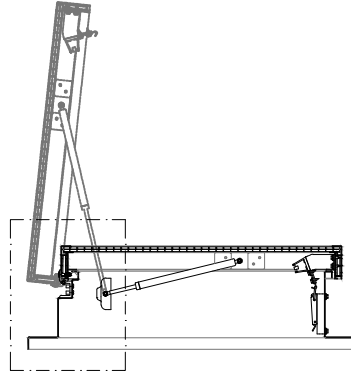
TOP VIEW



FRONT VIEW



SIDE VIEW



DETAIL 01

SECTION S1 CLOSED