

## PRODUCT FEATURES

ENZO is a natural ventilation system in the shape of a labyrinth entirely made in aluminium. It guarantees water resistance even in rainy weather. It is suitable for places where there is intense heat and high levels of noise. Two models are available: ENZO FLAT and ENZO 45.





**enzo**

## TYPICAL APPLICATIONS

Versatile scope of applications on roofs and facades, with an installation angle range from 5° to 90°. Dedicated to air intake, air rejection of single flow mechanical ventilation ducts, double flow or mechanical smoke removal. The angle of the roof influences the choice of configuration:

**ENZO FLAT:** roof angle < 45°, the installation needs water drainage.

**ENZO 45:** roof angle > 45°, the installation does not need water drainage.

## MATERIALS

Tempered aluminium, sea water- and corrosion-resistant (EN AW 5754).

*Note: aluminum is supplied untreated as standard. Possibility of it being supplied with electrostatic painting (in any RAL color).*

## DIMENSIONS

**Width :** 375 - 2500 mm

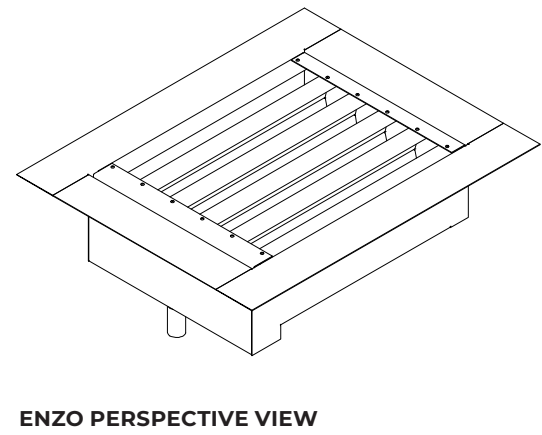
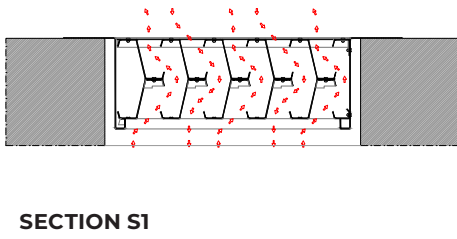
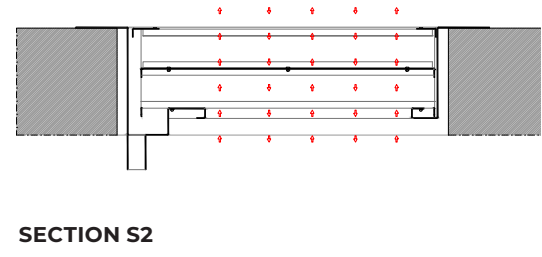
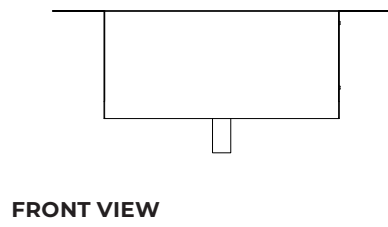
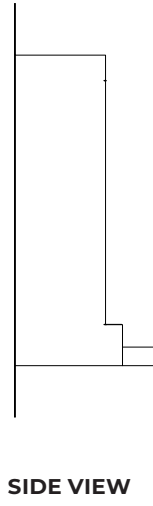
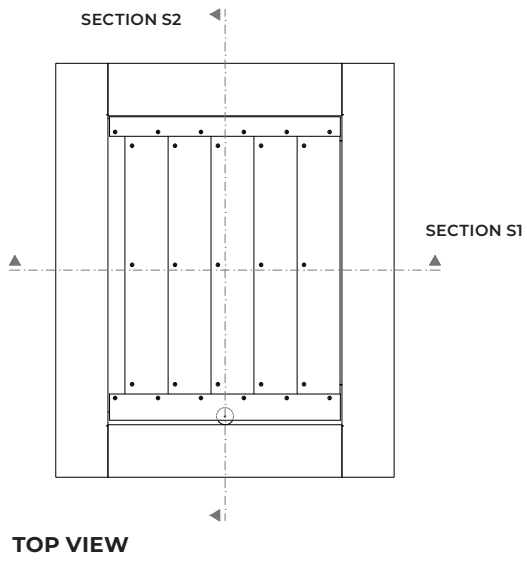
**Length :** 500 - 3000 mm

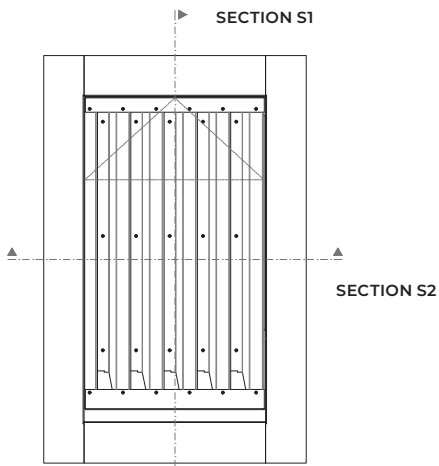
## OPTIONS

Custom dimensions.

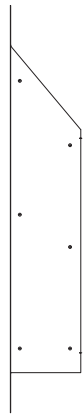
Powder-coated design (any RAL colour).

Bird or insect mesh .

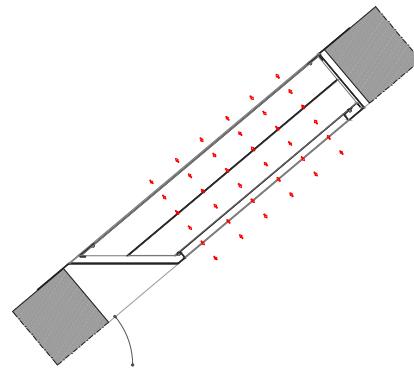




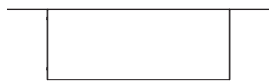
TOP VIEW



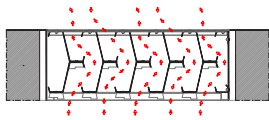
FRONT VIEW



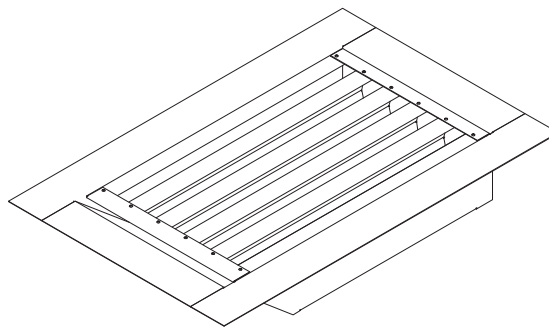
SECTION S2



FRONT VIEW



SECTION S1



ENZO PERSPECTIVE VIEW