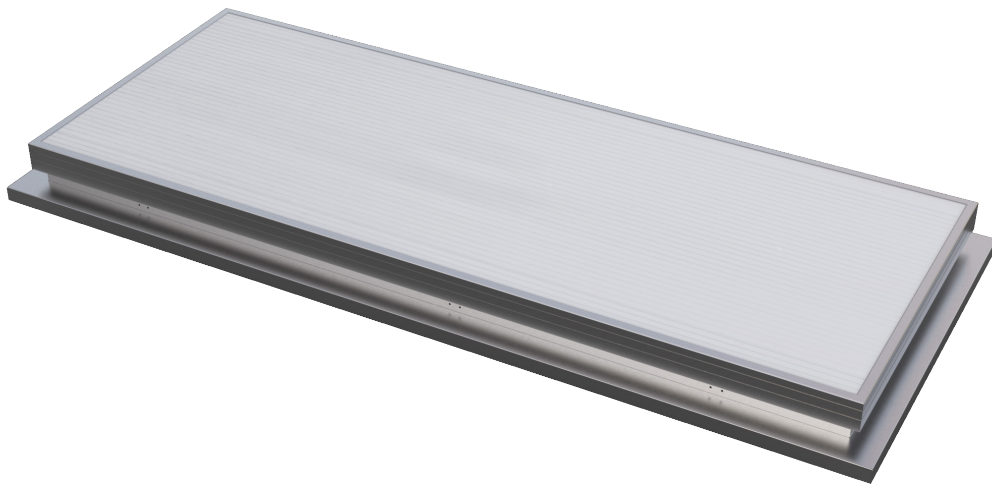


PRODUCT FEATURES

The Monodelta RA is a roof hatch designed to provide access from the roof space to the roof itself. It can serve as an emergency exit, craftsman exit, or access point for maintenance work. Our roof hatches come in various designs. The device can be equipped with 24 V or 230 V motors, as well as gas springs. The Monodelta RA is manufactured according to ISO 9001 quality standards.



MONDELTA RA (ROOF ACCESS)



TYPICAL APPLICATIONS

May be installed on roofs.

MATERIALS

Tempered aluminium, sea water and corrosion resistant (EN AW 5754).
Corrosion resistant bearings.
Built-in weather resistant hydrophobic tape.

Note: aluminum is supplied untreated as standard. Possibility of being supplied with electrostatic painting (in any RAL color).

DIMENSIONS

Roof opening width: 500–1500 mm.
Roof opening length: 500–3000 mm.

Note: other dimensions available upon request.

OPENING ANGLE

Individual adjustable from 0° up to 85°.

ROOF ACCESS

Manual roof access system, with latch.

CONTROLS

Standard: manual opening with lateral gas springs.
M230V / M24V: electric motors.

FLAPS

AL	Single aluminium.
AL ISO	Double insulated aluminium (20 and 50 mm).
PC16	Polycarbonate 16 mm, clear or opal.
PC25	Polycarbonate 25 mm, clear or opal.
PC32	Polycarbonate 32 mm, clear or opal.
TB	Thermal break in the aluminium profiles. Available for flaps of AL ISO, PC25 mm, PC32 mm.

BASES

Single aluminium.
 Double wall aluminium with insulation.
 Double wall aluminium with insulation and TB, thermal break in the aluminium base.

Note: other non-standard bases available upon request.

FLANGES

S1	Flange for single glass.
S2	Flange for double glass.
S3	Flange for roofs, 45° bended.
S4	Flange for roofs and facades.
S5	Flange for upstand, 90° bended downwards..
S6	Flange 90° bended upwards.
SCM	Flange for male connection.
SCF	Flange for female connection.



S1



S2



S3



S4



S5



S6



SCM



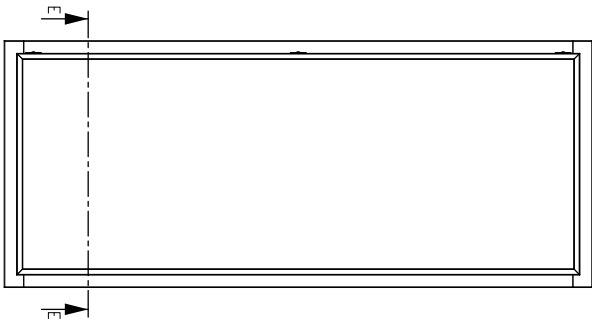
SCF

WEIGHT

Depends on dimensions and type of infill.

OPTIONS

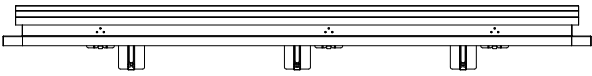
Custom dimensions.
 Powder-coated design (any RAL colour).



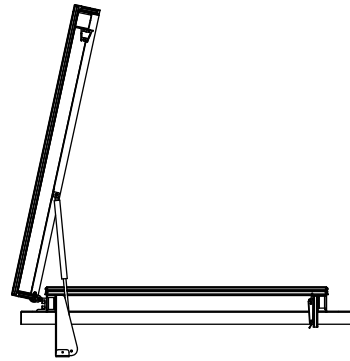
TOP VIEW



SIDE VIEW



FRONT VIEW



DETAIL 01

SECTION E-E

